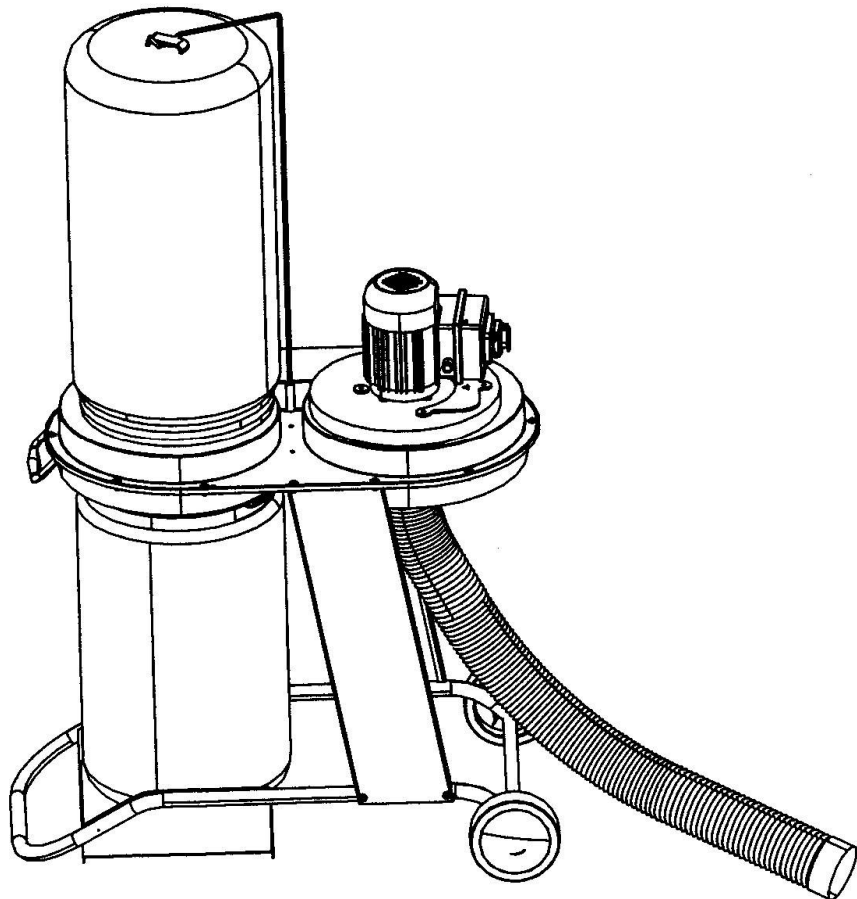


DUST COLLECTOR

DC-100E

OPERATING MANUAL



Using the DC-100E

- The DC-100 mini dust collector can be used to vacuum up waste (chips, shavings, etc) after planing, milling and sawing.
- Do not use the DC-100 for ink or paint spray, or explosive substances such as gases or powders.
- Collection of wood dust and chips is not permitted in industrial premises.
Non-industrial use of the mini dust collector is allowed, except by regular employees, people in training, schools and domestic situations, or other people in an employment situation.
- The collection container should be emptied as required, but at least after each use.
- The filtering bag should be cleaned each time the dust bag is changed.

Technical data

| | |
|-------------------------|-----------------------|
| Partial vacuum: | 700Pa |
| Nom. collection volume: | 1150m ³ /h |
| Power: | 3/4 HP |
| Suction hose: | 2.5m |
| Hose connector: | 100mm |
| Bag capacity: | 0.065m ³ |
| Weight: | 24Kg |
| Dimensions L x W x H: | 1150x775x450mm |

1 Electrical connection

- The motor operates on the sign. The cord must be at least 1.5mm in cross-section. If a fault occurs, immediately remove the plug from the power outlet. Then check the machine and rectify any fault.

2 General

- Do not suck pieces of metal, large blocks of wood or pieces of batten into the collector.
- Use only accessories designed for the DC-100.
- It is more efficient to use the filter cartridge than the dust bag to collect wood chips.

3 Cleaning

- The dust collector should be cleaned each time the collection bag is changed.
- Damaged filters and bags must be replaced immediately in order to minimize dust dispersion in the work area.

4 Assembly

- Attach the wheel to base (9) using M6 x12bolts, 6mm washers.
- Attach the side panels (7,15) loosely to the base using M8x12 bolts, 8mm washers. Do not tighten.
- Attach the housing (30) to the side panels using M 5x12 bolts and nuts. Tighten all nuts.

Insert the dust container in the bore of the top air outlet.

- Slip the dust bag over the container and fasten with the retaining strap.
- Attach the wood-chip bag to the lower air outlet using the retaining strap.
- Attach the hose to the nozzle on the housing and fasten with a collar.
- Also fasten the adapter ring to the other end of the hose using a collar.

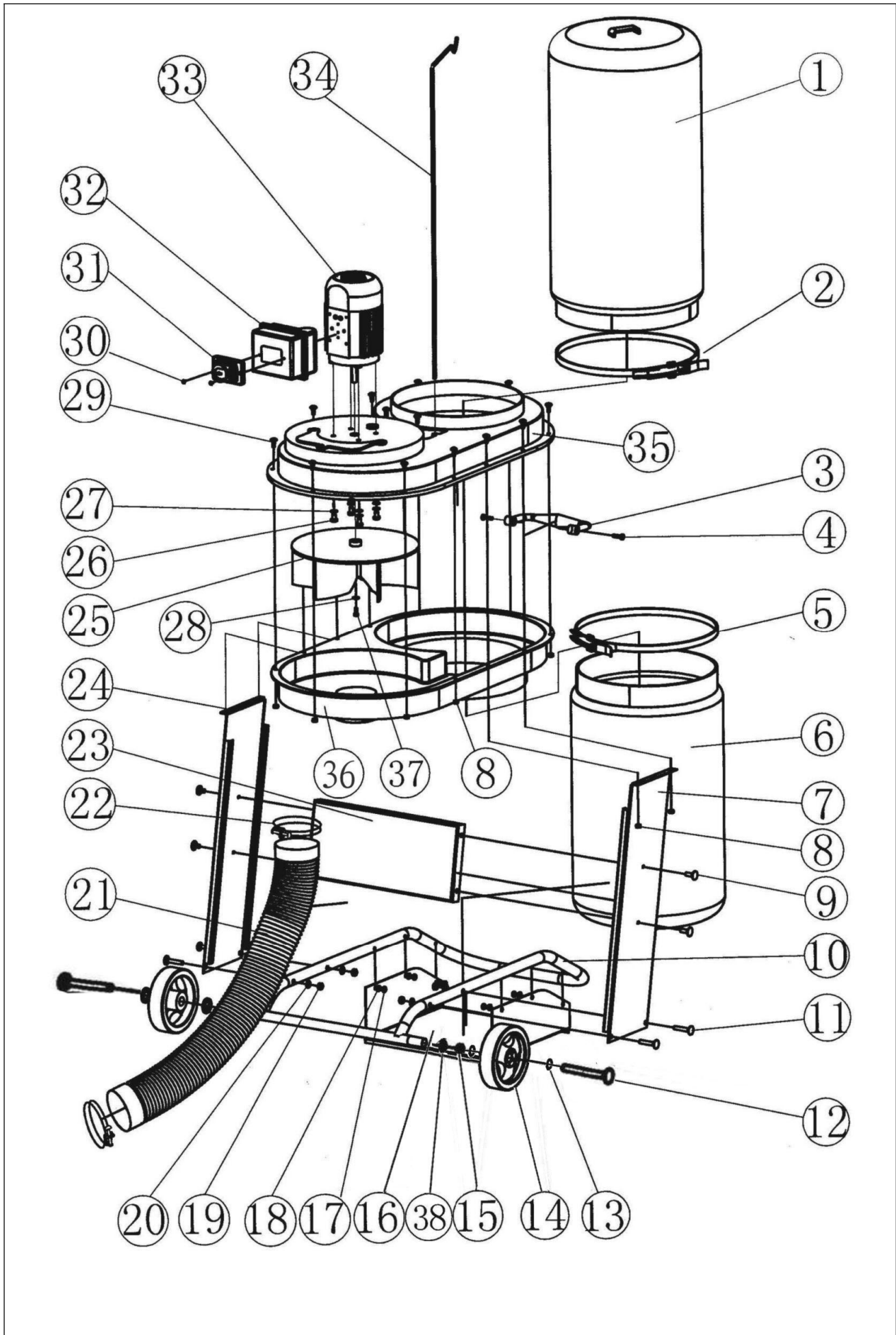
The dust collector should be cleaned each time the collection bag is changed.

Damaged filters and bags must be replaced immediately in order to minimize dust dispersion in the work area.

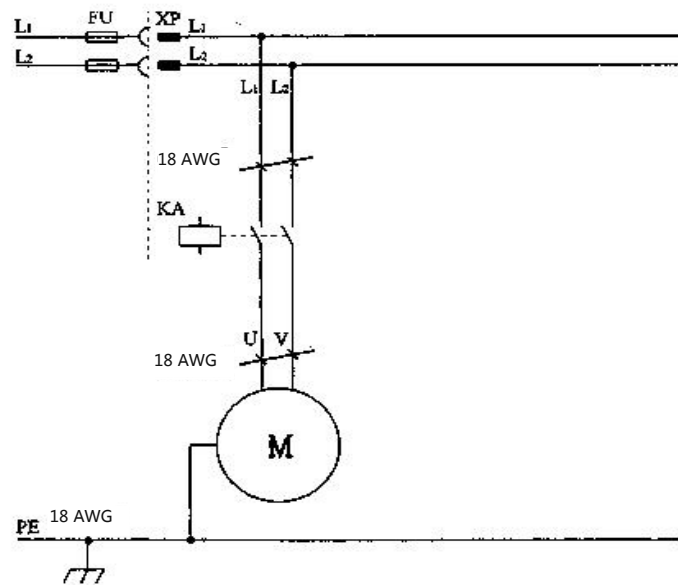
Parts list

Item: Name:

- | | |
|---------------------------------|---|
| 1 Filtering bag | 20 Washer $\Phi 8$ |
| 2 Upper Clamping band | 21 Hose |
| 3 Handgrip | 22 Clamping band |
| 4 Taping bolt ST5.5 \times 30 | 23 Horizontal Plate |
| 5 Lower Clamping band | 24 Right side panel |
| 6 Collecting bag | 25 Turbo Fan |
| 7 Left side panel | 26 Hexagon bolt M8 \times 12 |
| 8 Nut M5 | 27 Washer $\Phi 8$ |
| 9 Square neck bolt M8x12 | 28 Washer $\phi 6$ |
| 10 Base tube | 29 Cup square neck bolt M5 \times 12 |
| 11 Square neck bolt M8x40 | 30 Pan head tapping screw ST4.8 \times 15 |
| 12 Screw M10x75 | 31 Magnetic switch with emergency |
| 13 Washer $\Phi 10$ | 32 Switch box |
| 14 Wheel | 33 Motor |
| 15 Nut M10 | 34 Dust container holder |
| 16 Bottom plate | 35 Upper housing |
| 17 Screw M5x6 | 36 Lower housing |
| 18 Washer $\Phi 5$ | 37 Screw M6x16 |
| 19 Nut M8 | 38 Spring washer $\Phi 10$ |



circuit diagram



SAFETY RULES

1. **READ AND BECOME FAMILIAR** with the entire operating manual.
2. **KEEP GUARDS AND COVER IN PLACE AND IN WORKING ORDER.**
3. **ALWAYS USE SAFETY GLASSES**, Also use face or dust mask if cutting operations is dusty. Everyday eye-glasses only have impact resistant lense; they are not safety glasses.
4. **KEEP WORK AREA CLEAN.** Cluttered areas and benches invite accidents.
5. **DON'T FORCE TOOLS.** It will do a better and safer job at the rate for which is was designed.
6. **AVOIDE ACCIDENTAL STARTING.** Make sure switch is in "OFF" position before plugging in cord.
7. **DISCONNECT TOOLS BEFORE SERVICING** and when changing accessories such as blades, bits, cutters.
8. **DON'T OVERREACH.** Keep your proper footing and balance at all times. For best footing wear rubber soled footwear. Keep floor clear or oil, scrap wood, etc.
9. **WEAR PROPER APPAREL.** Loose clothing or jewelry may get caught in moving parts. Wear protective hair covering to contain long hair.
10. **MAKE WORKSHOP KIDPROOF.** Place a padlock on the switch when blade saw is not in use and store the key in a safe location.
11. **REVOVE ADJUSTING KEYS AND WRENCHES.** Form habit of

checking to see that keys and adjusting wrenches are removed from tool before turning it on.

12. **AVOID DANGEROUS ENVIRONMENT.** Don't use power tools in damp or wet locations. Keep your work area well illuminated DO NOT USE in explosive atmosphere (around paint, flammable liquids, etc.)
13. **KEEP CHILDREN AWAY.** All visitors should be kept a safe distance from work area, especially while operating unit.
14. **USE THE PROPER TOOL.** Don't force tool or attachment to do a job for which it was not designed.
15. **MAINTAIN TOOLS IN TOP CONDITION.** Keep tools sharp and clean for best and safest performance. Follow instructions for lubricating and changing accessories.
16. **SECURE WORK.** Use clamps or a vise to hold work, when practical. It's safer than using your hand and prevents round or irregularly shaped pieces from turning.
17. **CHECK DAMAGED PARTS.** Before further use of the tool, a guard or other part that is damaged should be checked to assure that it will operate properly and perform its intended function check for alignment of moving parts, breakage of parts, mounting, any other conditions that may affect its operations A guard or other part that is damaged should be properly repaired or replaced.
18. **USE RECOMMENDED ACCESSORIES-**Consult Owner's Manual. Use of improper accessories could be hazardous.
19. **NEVER STAND ON TOOL.** Injury could occur from a fall.
20. **NEVER LEAVE TOOL RUNNING AND UNATTENDED.**
21. **ALWAYS REMOVE CORD PLUG** from electrical outlet when adjusting, changing parts or working on tool.
22. **ALWAYS REMOVE CORD PLUG** from electrical outlet when adjusting, changing parts or working on tool.